



OSCAR Steel Pan Series Conveyor

From *Recycling Equipment Manufacturing, Inc.*

OSCAR SERIES OFFSET CONVEYORS FOR: PAPER, MSW, AND SCRAP MATERIALS



REM's® Model OSCAR Steel Belt Hinge Pan Conveyors are our tough line of Heavy-Duty Feed Conveyors. For heavy baler feed applications, scrap feed conveyors, and transfer station conveyors REM's® model Oscar Steel Pan Conveyors are the ideal choice.

REM's® Steel Pan conveyors feature three different configurations. Depending upon your application and budget, we have the OSCAR-SHP (Hinge Pan), OSCAR- SZP (Z-Pan) and OSCAR- SBP (Beaded Apron Pan). Built for years of service and low maintenance, these conveyors feature time proven, field tested designs that will last and last.

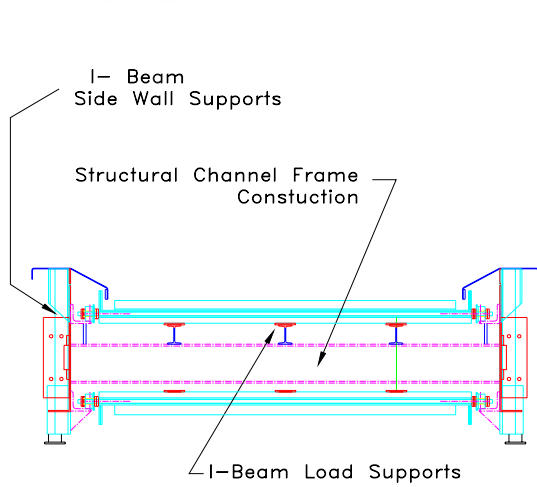
Each REM® Hinge Pan conveyor is assembled and pre-tested at our facility. Featuring flanged bolt together sections for easy assembly, and shipped with as much pre-assembly as possible to minimize field installation time to save you time and money.

When you need a tough, rugged, durable conveyor built to last, think of REM's® Model OSCAR Steel Belt Hinge Pan Conveyors. To put our model Oscar Conveyors to work for you, call **1-800-745-4736**.

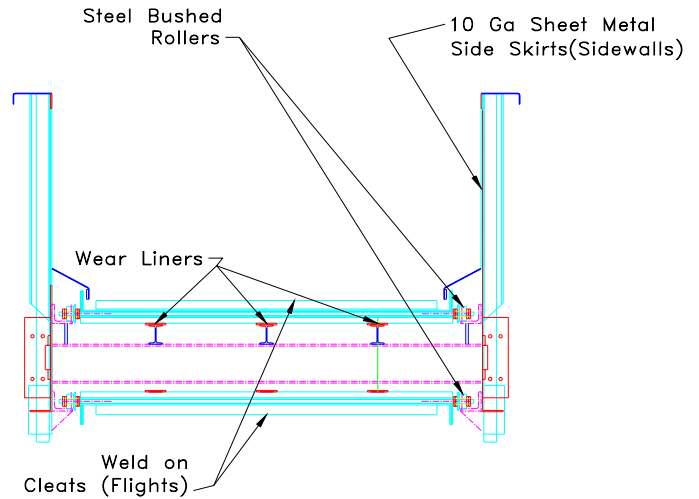


OSCAR Series Steel Pan Conveyors

A Leader in Recycling Equipment Since 1978



Cross section
Loading Area



Cross Section
Incline Area

SPECIFICATIONS

Belt:	Piano Hinge Pan, Beaded Apron Pan, and Z-pan. Available in 6" or 9" pitch. 1/4" Pan, and 3 1/2" flanged wheels.	Belt Widths:	24" through 96"
Impact Beams:	4" I-Beam 7.7 Lbs. Per foot	Wear Liners:	3/4" UHMW Plastic
Belt Speeds:	30 FPM standard up to 50 FPM	Motor:	230/460 volt, 3 phase TEFC
Bearings:	Heavy Duty Spherical Roller 4 bolt Expansion and Non-Expansion	Gear Reducer:	Heavy Duty Helical Gear
		Sprockets:	Flame Hardened Constructed of 1045HC Steel

CONSTRUCTION

Pit Section Skirting:	1/4" steel plate	Incline Section Skirting:	10 gauge steel
Guards:	Expanded metal screen for increased visibility and safety	Frames:	Heavy duty structural steel H type frames with support ribs and channels
Supports:	Adjustable legs in pit section and adjustable heavy duty square tubing in head section	Incline Angle:	From Zero to Forty-Five Degrees
Paint:	Standard REM Blue waterborne enamel with OSHA Yellow Guards. Custom colors available at additional cost.		
Options:	Different types of belt variations (Z-Pan and Apron), variable speed drives. Also, custom infeed hoppers built to match baler, shredder, or sort line. If you don't see it just ask us!		

SPECIFICATIONS ARE SUBJECT TO CHANGE WITHOUT NOTICE

Recycling Equipment Manufacturing, Inc.

PO Box 310
 Priest River, Idaho USA 83856
 1-800-745-4736
 Office: (208) 448-4736
 E-mail: sales@remfg.com Fax: (208) 448-1786

Sales and Service