



PERF-5 Plastic Perforator

From *Recycling Equipment Manufacturing, Inc.*

Reduce plastic bulk and increase the productivity of your baler with the PERF-5. The PERF-5 is a rugged and efficient plastic perforator/crusher designed to tear and flatten PET containers. The tearing feature limits spring back, allowing for easier storing and denser baling.



DESIGNED FOR PET AND HDPE

The PERF-5 is capable of processing over 900 lbs. of PET plastic per hour. A 24" PVC conveyor belt with 3" cleats carries the containers into a crushing chamber with a rotating steel drum. Knives on the drum perforate while crushing the plastic container, discharging the plastic into a Gaylord box or baler.

ADVANCED DESIGN

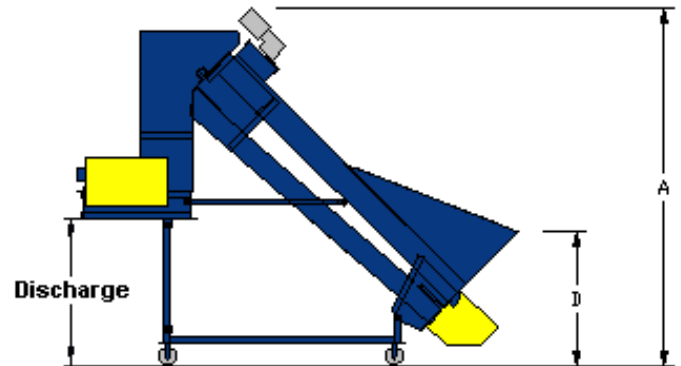
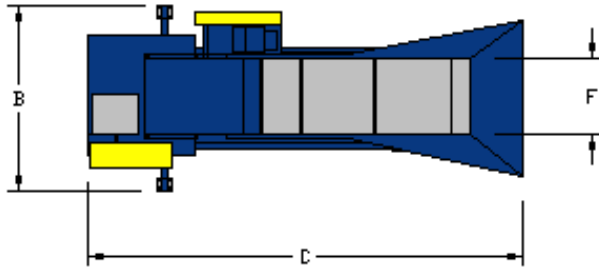
The PERF-5 makes use of REM®'s proven machine design with the same rugged steel construction used in our other recycling machines. Standard features such as a heavy-duty conveyor belt with permanently bonded cleats and quick release mechanism on the pressure plate make this machine a low maintenance, long-lasting addition to your business.

To put our PERF-5 plastic perforator to work for you, call **1-800-745-4736**.



PERF-5 Plastic Perforator

A Leader in Recycling Equipment Since 1978



Features:

- Capable of processing over 900 lbs. of PET plastic per hour
- Heavy-duty PVC conveyor belt with permanently bonded 3” cleats
- Steel crushing drum with hardened perforating knives
- Motor speed-reducer and chain-drive conveyor

Specifications:

- All steel construction
- 24” PVC conveyor belt with 3” cleats and Flexco 125 Megalloy Lacing
- 1/2 cubic yard conveyor hopper
- External tail-pulley adjustment
- 3/4 HP conveyor motor
- 5 HP crushing motor
- 6” industrial steel casters

Electrical safety features:

- 240/480 volt, three phase
- Electrical components are UL listed
- NEMA-4 (hose proof) enclosure
- Magnetic starters
- Individual motor overload/short circuit protection
- Safety interlock on perforating chamber door

Dimensions:	PERF-5 48"	PERF-5 60"
Height (A)	9' 3"	10' 3"
Width (B)	60"	
Length (C)	12'	13' 6"
Loading Height (D)	44"	44"
Approx. Weight (lbs)	1500	1700
Discharge Height	48"	60"

Options:

- 208, 380, 415, or 575 volt, three phase
- Custom conveyors, hoppers, and discharge heights
- As a mechanism for a platform, stand, or hopper
- If you don't see it, ask us!

LIMITED ONE YEAR WARRANTY

*All dimensions are nominal +/- 1"

*Specifications subject to change without notice without incurring responsibility to previous units sold.

Recycling Equipment Manufacturing, Inc.

PO Box 310 1-800-745-4736
 Priest River, Idaho www.remfg.com Office: (208) 448-4736
 USA 83856 E-mail: sales@remfg.com Fax: (208) 448-1786

Sales and Service