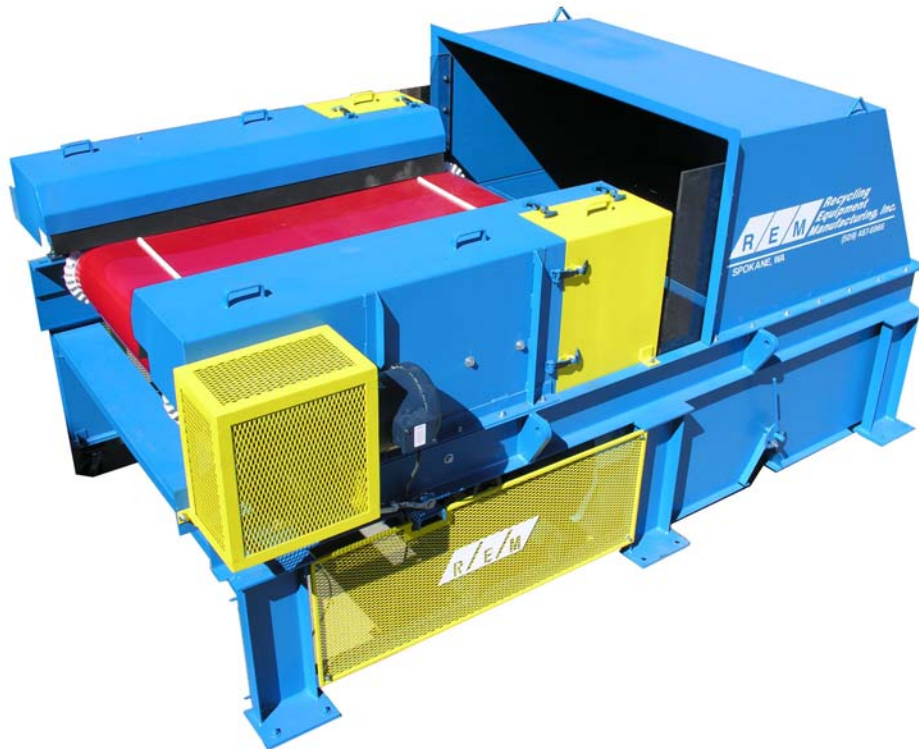




Eddy Current Separator

From *Recycling Equipment Manufacturing, Inc.*

EDDY CURRENT SEPARATOR Non-ferrous metals separator



REM's® model ECS Eddy Current Separator is a distinct design which will maximize your recovery of non-ferrous material from your Material Recovery stream.

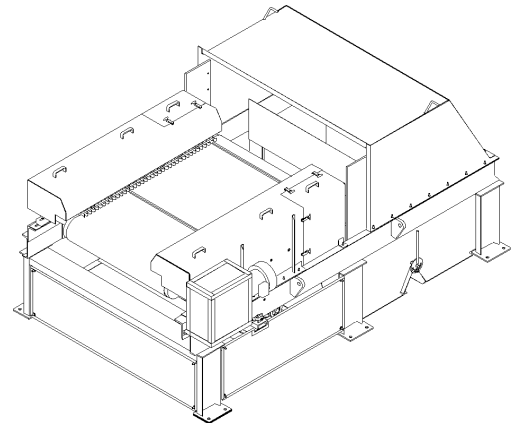
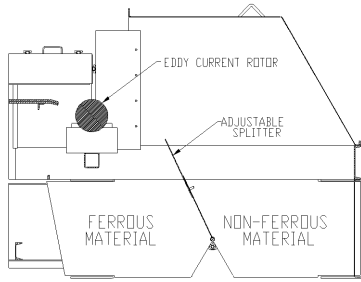
INCREASE YOUR PRODUCTIVITY

The unique design of the rotor produces strong eddy currents and repelling forces for maximum product separation. The eddy current system used to separate aluminum, die-cast metal and copper from nonmetallic materials. Lightweight nonferrous metals are highly conductive and easiest to separate with our large usable magnetic field. Based on your volume and system configuration, we can select an eddy current model to suit your application. If you are looking to get the most from your product stream, an REM Eddy Current separator can be one of your most profitable pieces of equipment. Start generating increased income from the sale of recovered nonferrous metals. Reduce the man-hours used to separate your high value nonferrous metal.



Eddy Current Separator

A Leader in Recycling Equipment Since 1978



Features:

- Unique rotor design
- High Speed Bearings
- Completely enclosed drive package

Specifications:

- All-steel unitized construction
- Protective Belt Edge Sealing
- Extra Wide Rotor Pulley
- Urethane Belt w/PVC sidewalls

Electrical :

- 240/480 volt, three phase
- Electrical components are UL listed

Options:

- 240 volt, single phase
- 208, 380, 415, 480, or 575 volt, three phase
- Modular Diverter Chute
- Fixed Speed Control Panel
- Variable Speed Control Panel
- If you don't see it, ask us!

LIMITED ONE YEAR WARRANTY

- *All dimensions are nominal +/- 1"
- *Specifications subject to change without notice, without incurring responsibility to previous units sold.

Recycling Equipment Manufacturing, Inc.

PO Box 310
 Priest River , Idaho USA 83856

1-800-745-4736
 Office: (208) 448-4736
 E-mail: sales@remfg.com Fax: (208) 448-1786

© 2000 REM, INC.

Sales and Service

